

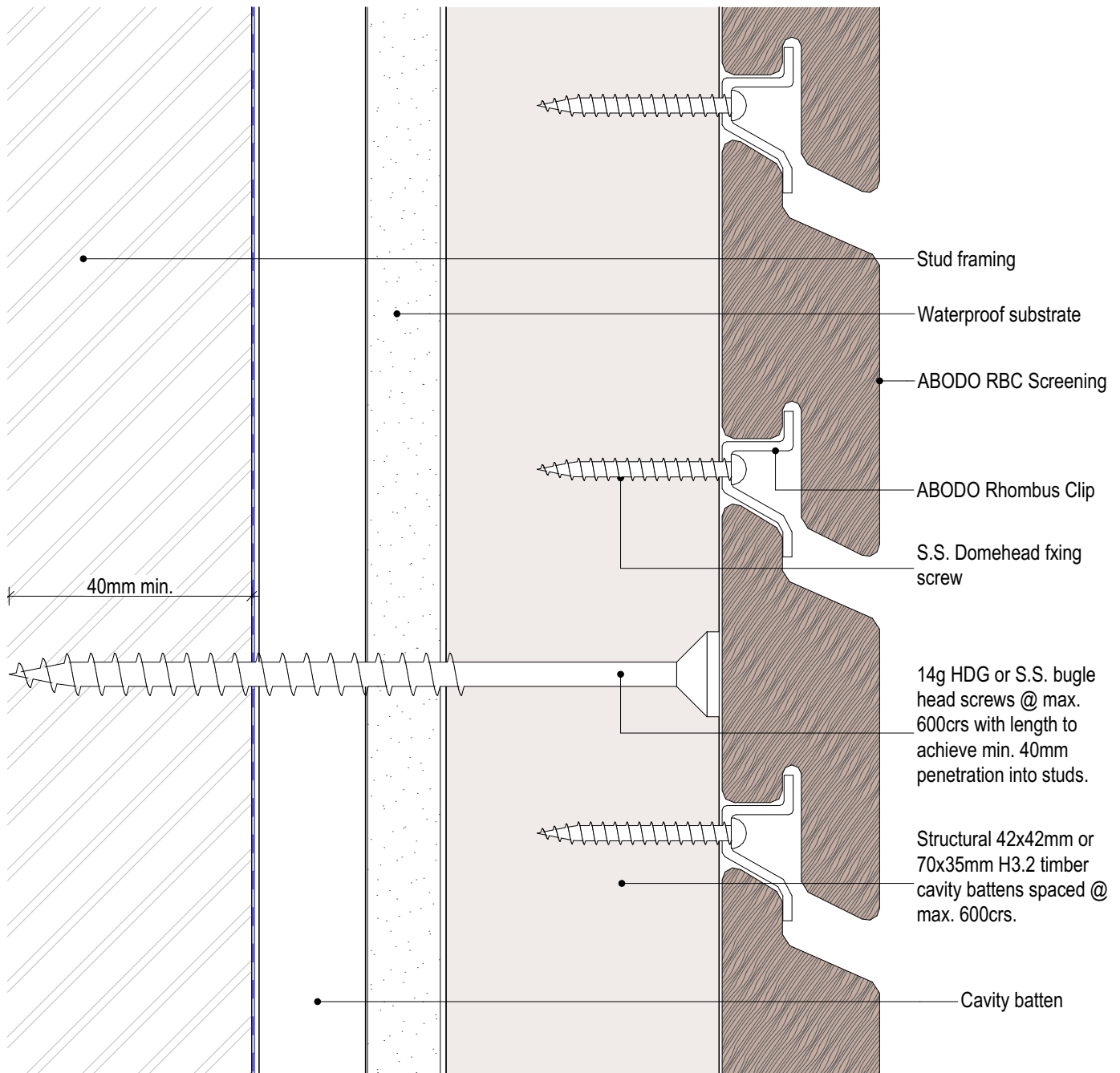
ABODO Rhombus Clip - Horizontal Screening

Sheet Index	
Sheet No:	Revision: Sheet Name:
RBC.1	Rhombus Clip System
RBC.2	Horizontal External Corner
RBC.3	Horizontal Internal Corner
RBC.4	Component View
RSC.4	BASE OF WALL - CONCRETE



© Abodo Wood Ltd. 2020 info@abodo.co.nz T +64 (9) 249 0100	SHEET TITLE		
	DETAIL INDEX		
Abodo Wood Ltd. 62 Ascot Road, Mangere, Auckland 2022, New Zealand	PROFILE ABODO Rhombus Batten Clip - Horizontal Screening	SCALE:	SHEET NUMBER
		- @ A4	RBC
		PRINT DATE:	REVISION
		01/04/2020	01

ABODO Rhombus Clip - Horizontal Screening



1

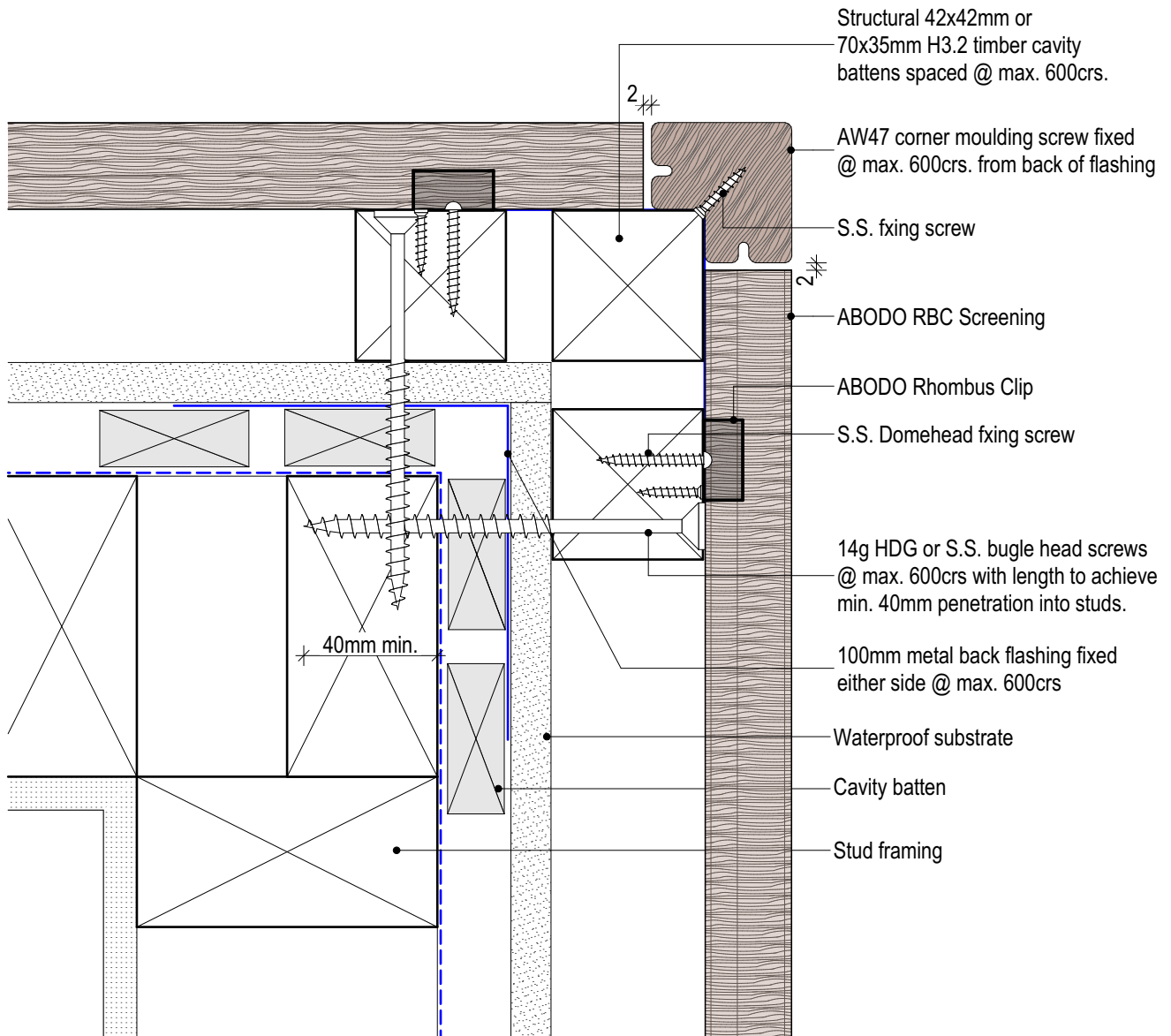
RHBC FIXING DETAIL

1:1



<p>© Abodo Wood Ltd. 2020 info@abodo.co.nz T +64 (9) 249 0100</p>	<p>SHEET TITLE Rhombus Clip System</p>		
<p>Abodo Wood Ltd. 62 Ascot Road, Mangere, Auckland 2022, New Zealand</p>	<p>PROFILE ABODO Rhombus Batten Clip - Horizontal Screening</p>	<p>SCALE: - @ A4 PRINT DATE: 01/04/2020</p>	<p>SHEET NUMBER REVISION RBC.1</p>

ABODO Rhombus Clip - Horizontal Screening



EXTERNAL CORNER HORIZONTAL

1:2



© Abodo Wood Ltd. 2020
 info@abodo.co.nz
 T +64 (9) 249 0100

SHEET TITLE

Horizontal External Corner

Abodo Wood Ltd.
 62 Ascot Road, Mangere,
 Auckland 2022, New Zealand

PROFILE

ABODO Rhombus Batten Clip - Horizontal Screening

SCALE:

- @ A4

PRINT DATE:

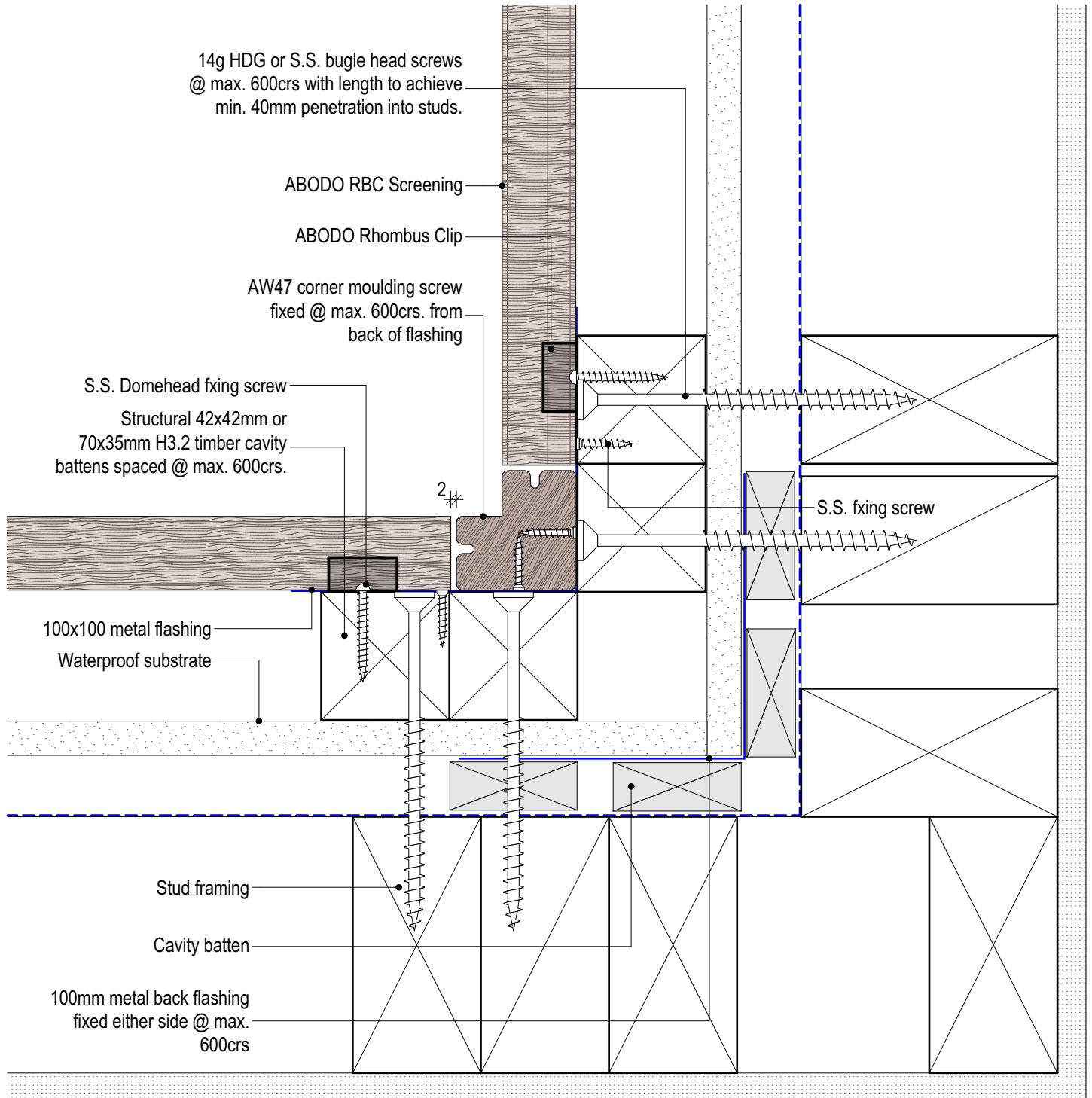
01/04/2020

SHEET NUMBER

REVISION

RBC.2

ABODO Rhombus Clip - Horizontal Screening



1

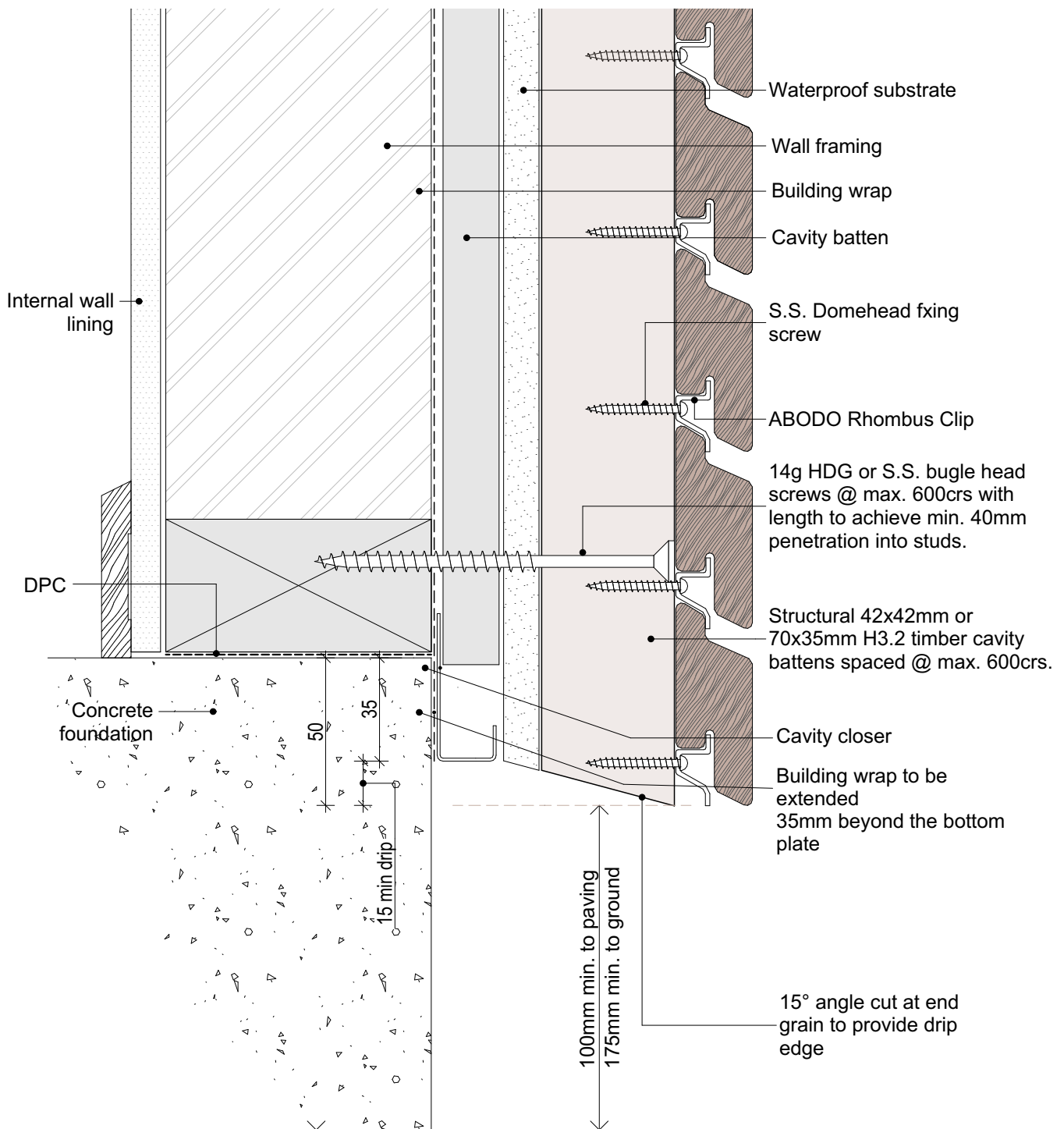
INTERNAL CORNER HORIZONTAL

1:2



<p>© Abodo Wood Ltd. 2020</p> <p>info@abodo.co.nz</p> <p>T +64 (9) 249 0100</p>	<p>SHEET TITLE</p> <p style="text-align: center;">Horizontal Internal Corner</p>			
<p>Abodo Wood Ltd.</p> <p>62 Ascot Road, Mangere,</p> <p>Auckland 2022, New Zealand</p>	<table border="1"> <tr> <td data-bbox="518 2072 1021 2163"> <p>PROFILE</p> <p>ABODO Rhombus Batten Clip - Horizontal Screening</p> </td> <td data-bbox="1021 2072 1244 2163"> <p>SCALE: - @ A4</p> <p>PRINT DATE: 01/04/2020</p> </td> <td data-bbox="1244 2072 1535 2163"> <p>SHEET NUMBER</p> <p style="font-size: 24pt; font-weight: bold;">RBC.3</p> <p>REVISION</p> </td> </tr> </table>	<p>PROFILE</p> <p>ABODO Rhombus Batten Clip - Horizontal Screening</p>	<p>SCALE: - @ A4</p> <p>PRINT DATE: 01/04/2020</p>	<p>SHEET NUMBER</p> <p style="font-size: 24pt; font-weight: bold;">RBC.3</p> <p>REVISION</p>
<p>PROFILE</p> <p>ABODO Rhombus Batten Clip - Horizontal Screening</p>	<p>SCALE: - @ A4</p> <p>PRINT DATE: 01/04/2020</p>	<p>SHEET NUMBER</p> <p style="font-size: 24pt; font-weight: bold;">RBC.3</p> <p>REVISION</p>		

ABODO Rhombus Clip - Horizontal Screening



1 BASE OF WALL - CONCRETE 1:2



© Abodo Wood Ltd. 2020
 info@abodo.co.nz
 T +64 (9) 249 0100

SHEET TITLE

BASE OF WALL - CONCRETE

Abodo Wood Ltd.
 62 Ascot Road, Mangere,
 Auckland 2022, New Zealand

PROFILE

ABODO Rhombus Batten Clip - Horizontal Screening

SCALE:

- @ A4

PRINT DATE:

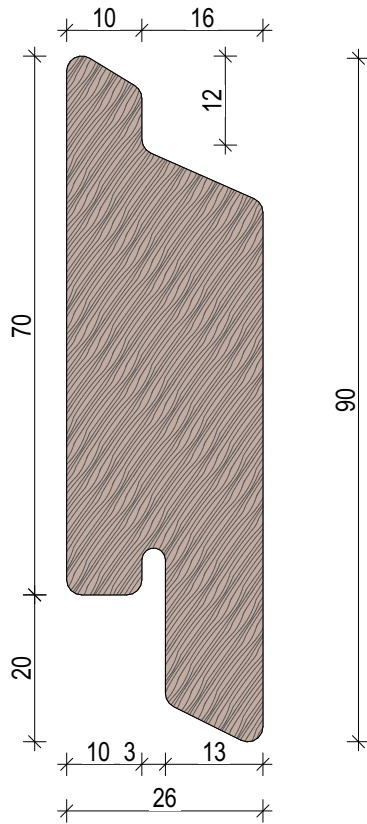
01/04/2020

SHEET NUMBER

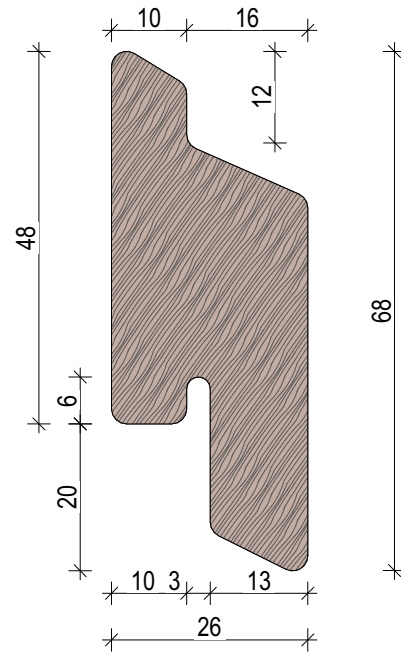
REVISION

RSC.4

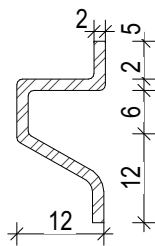
ABODO Rhombus Clip - Horizontal Screening



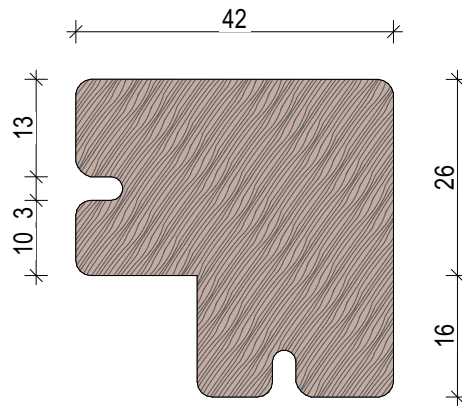
RBC2 90x26mm



RBC2 68x26mm



ABODO Rhombus Clip



AW47 Corner Moulding



<p>© Abodo Wood Ltd. 2020 info@abodo.co.nz T +64 (9) 249 0100</p>	<p>SHEET TITLE</p> <p style="text-align: center;">Component View</p>		
<p>Abodo Wood Ltd. 62 Ascot Road, Mangere, Auckland 2022, New Zealand</p>	<p>PROFILE</p> <p>ABODO Rhombus Batten Clip - Horizontal Screening</p>	<p>SCALE: - @ A4</p> <p>PRINT DATE: 01/04/2020</p>	<p>SHEET NUMBER REVISION</p> <p style="text-align: center;">RBC.4</p>