

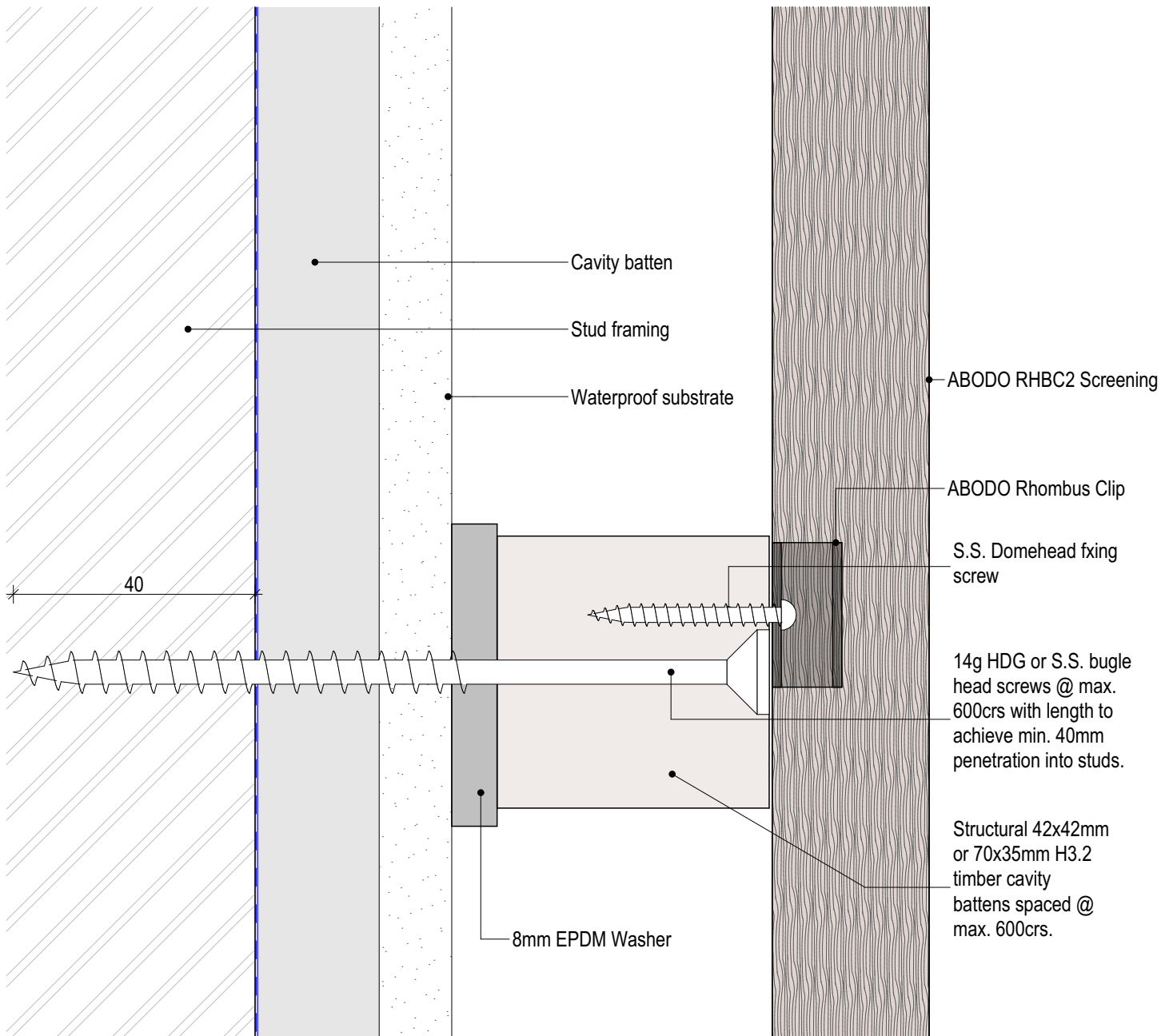
# ABODO Rhombus - Vertical Screening

Sheet Index	
Sheet No:	Revision: Sheet Name:
RCV.1	Clip System
RCV.2	Verical External Corner
RCV.3	Vertical Internal Corner
RCV.4	BASE OF WALL CONCRETE
RCV.5	COMPONETS



© Abodo Wood Ltd. 2020 info@abodo.co.nz T +64 (9) 249 0100	SHEET TITLE		
	<b>DETAIL INDEX</b>		
Abodo Wood Ltd. 62 Ascot Road, Mangere, Auckland 2022, New Zealand	PROFILE <b>ABODO RCV - Vertical Screening</b>	SCALE:	SHEET NUMBER
		- @ A4	<b>BC</b>
		PRINT DATE: 01/04/2020	REVISION <b>01</b>

# ABODO Rhombus - Vertical Screening



1

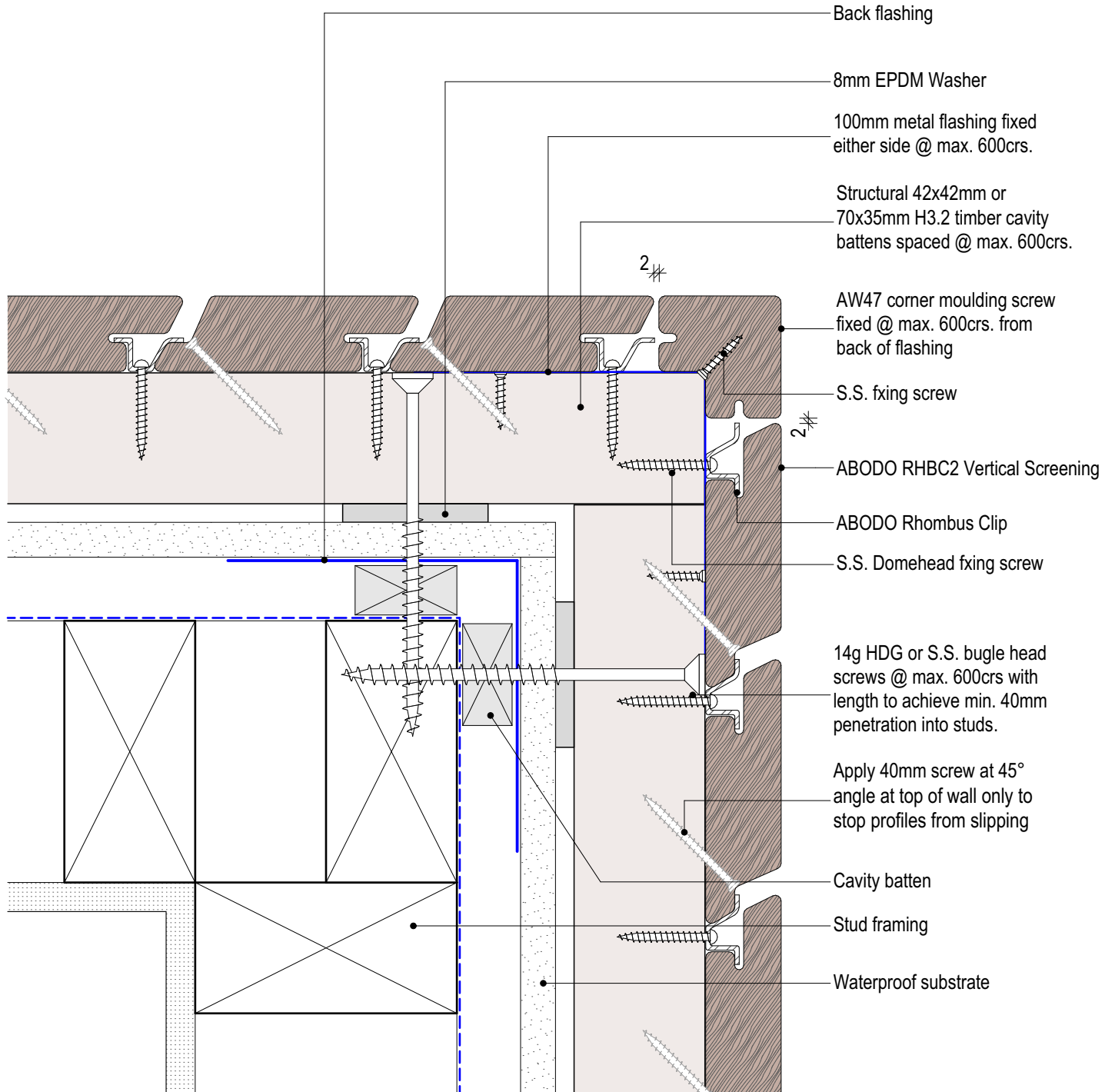
RHBC FIXING DETAIL

1:1



<p>© Abodo Wood Ltd. 2020          info@abodo.co.nz          T +64 (9) 249 0100</p>	<p>SHEET TITLE</p>	<p>Clip System</p>	
<p>Abodo Wood Ltd.          62 Ascot Road, Mangere,          Auckland 2022, New Zealand</p>	<p>PROFILE</p> <p><b>ABODO RCV - Vertical Screening</b></p>	<p>SCALE: - @ A4</p> <p>PRINT DATE: 01/04/2020</p>	<p>SHEET NUMBER REVISION</p> <p><b>RCV.1</b></p>

# ABODO Rhombus - Vertical Screening



1

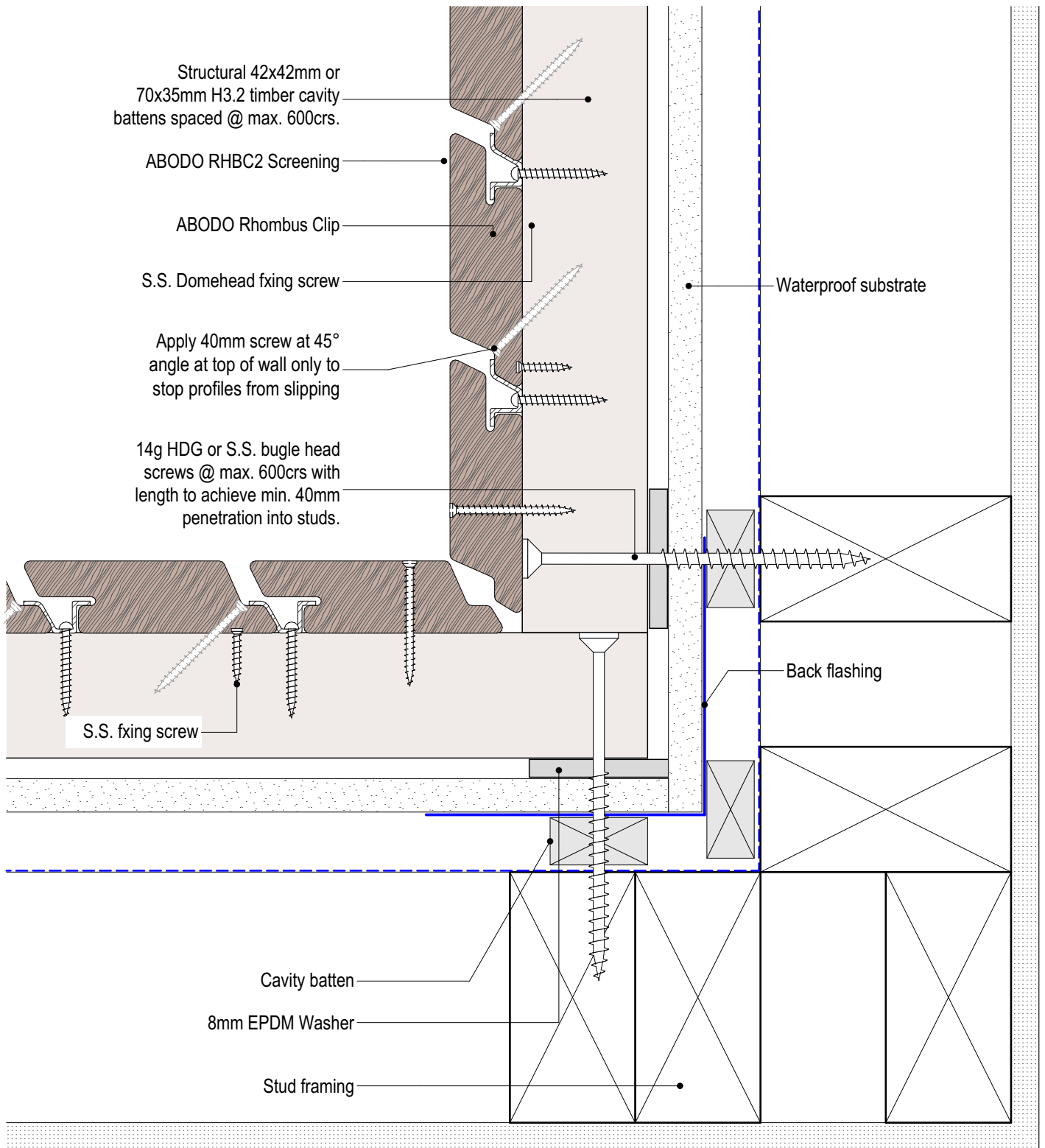
EXTERNAL CORNER VERTICAL

1:2



<p>© Abodo Wood Ltd. 2020</p> <p>info@abodo.co.nz</p> <p>T +64 (9) 249 0100</p>	<p>SHEET TITLE</p> <p style="text-align: center;"><b>Verical External Corner</b></p>			
<p>Abodo Wood Ltd.</p> <p>62 Ascot Road, Mangere,</p> <p>Auckland 2022, New Zealand</p>	<table border="1" style="width: 100%;"> <tr> <td data-bbox="518 2072 1021 2163"> <p>PROFILE</p> <p><b>ABODO RCV - Vertical Screening</b></p> </td> <td data-bbox="1021 2072 1244 2163"> <p>SCALE: - @ A4</p> <p>PRINT DATE: 01/04/2020</p> </td> <td data-bbox="1244 2072 1536 2163"> <p>SHEET NUMBER</p> <p style="font-size: 24pt; font-weight: bold;">RCV.2</p> <p>REVISION</p> </td> </tr> </table>	<p>PROFILE</p> <p><b>ABODO RCV - Vertical Screening</b></p>	<p>SCALE: - @ A4</p> <p>PRINT DATE: 01/04/2020</p>	<p>SHEET NUMBER</p> <p style="font-size: 24pt; font-weight: bold;">RCV.2</p> <p>REVISION</p>
<p>PROFILE</p> <p><b>ABODO RCV - Vertical Screening</b></p>	<p>SCALE: - @ A4</p> <p>PRINT DATE: 01/04/2020</p>	<p>SHEET NUMBER</p> <p style="font-size: 24pt; font-weight: bold;">RCV.2</p> <p>REVISION</p>		

# ABODO Rhombus - Vertical Screening



1

INTERNAL CORNER VERTICAL

1:2



© Abodo Wood Ltd. 2020

info@abodo.co.nz  
T +64 (9) 249 0100

Abodo Wood Ltd.  
62 Ascot Road, Mangere,  
Auckland 2022, New Zealand

SHEET TITLE

Vertical Internal Corner

PROFILE

**ABODO RCV - Vertical Screening**

SCALE:

- @ A4

PRINT DATE:

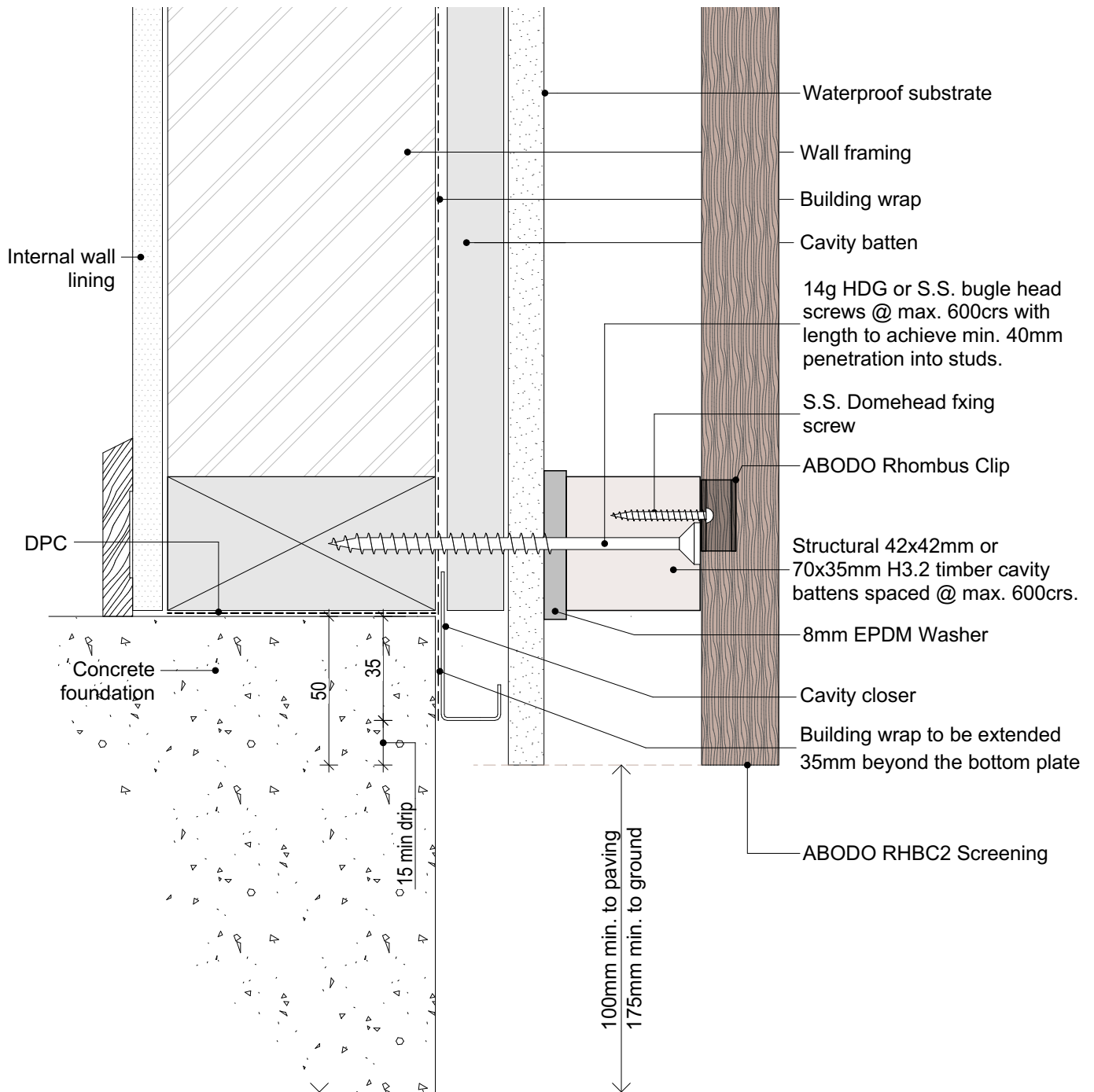
01/04/2020

SHEET NUMBER

**RCV.3**

REVISION

# ABODO Rhombus - Vertical Screening



1

BASE OF WALL - CONCRETE

1:2



© Abodo Wood Ltd. 2020

info@abodo.co.nz  
T +64 (9) 249 0100

Abodo Wood Ltd.  
62 Ascot Road, Mangere,  
Auckland 2022, New Zealand

SHEET TITLE

BASE OF WALL CONCRETE

PROFILE

ABODO RCV - Vertical Screening

SCALE:

- @ A4

PRINT DATE:

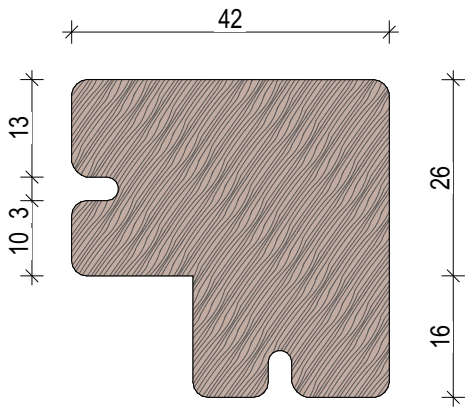
01/04/2020

SHEET NUMBER

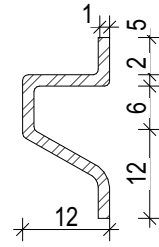
RCV.4

REVISION

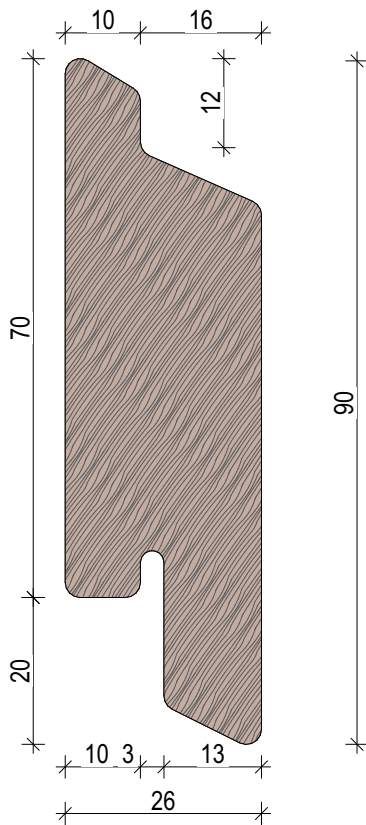
# ABODO Rhombus - Vertical Screening



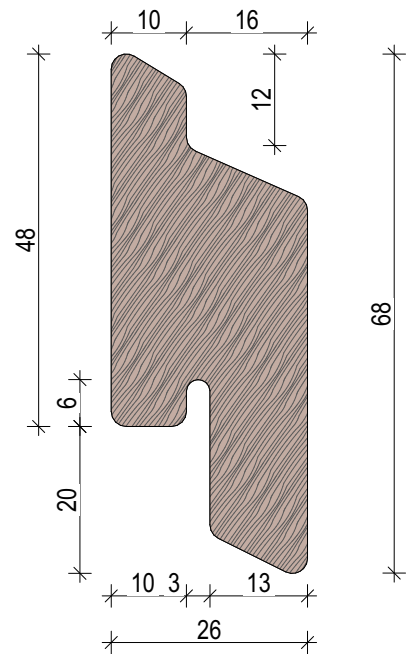
**AW47 Corner Moulding**



**ABODO Rhombus Clip**



**RHBC2 90x26mm**



**RHBC2 68x26mm**



<p>© Abodo Wood Ltd. 2020          info@abodo.co.nz          T +64 (9) 249 0100</p>	<p>SHEET TITLE</p> <h2 style="text-align: center;">COMPONENTS</h2>		
<p>Abodo Wood Ltd.          62 Ascot Road, Mangere,          Auckland 2022, New Zealand</p>	<p>PROFILE</p> <p><b>ABODO RCV - Vertical Screening</b></p>	<p>SCALE: - @ A4</p> <p>PRINT DATE: 01/04/2020</p>	<p>SHEET NUMBER REVISION</p> <h2 style="text-align: center;">RCV.5</h2>